

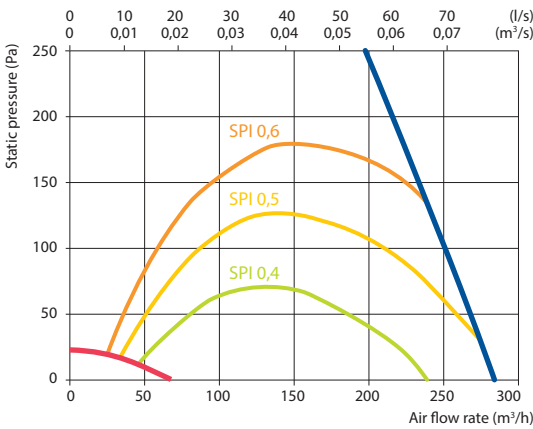
# Domekt R 250 F C6

Maximal air flow, m <sup>3</sup> /h	250
Maximal air flow, l/s	69
Reference flow rate, m <sup>3</sup> /s	0,049
Reference pressure difference, Pa	50
SPI, W/(m <sup>3</sup> /h)	0,39
Thermal efficiency of heat recovery, %	80
Electric air heater capacity, kW / Δt, °C	1/16,7
Supply voltage, V	1~230
Maximal operating current HE, A	6,1
Power supply cable, mm <sup>2</sup>	3×1,5
Electric power input of the fan drive at maximum flow rate, W	90
Electric power input of the fan drive at reference flow rate, W	40
Noise power level, L <sub>WA</sub> , dB(A)	48
Noise pressure level, L <sub>pA</sub> , dB(A), (3 m)	37
Filters dimensions B×H×L, mm	278×258×46
Unit dimensions B×H×L, mm	602×310×842
Maintenance space, mm	300
Unit weight, kg	40



## Performance

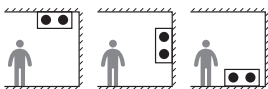
Unit with standard equipment



## Accessories

Closing damper	AGUJ-M-160+LF230/CM230
Silencer	ODA/EHA AGS-160-50-600-M
	SUP/ETA AGS-160-50-900-M
Water heater	DH-160
PPU	PPU-HW-3R-15-0,4-W2
2-way valve (heater)	VVP47.10-0,4+SSF161.05HF
2-way valve (cooler)	VVP47.10-1,6+SSF161.05HF
Outdoor grill	LD-160
Water heater-cooler	DHCW-160

## Mounting positions

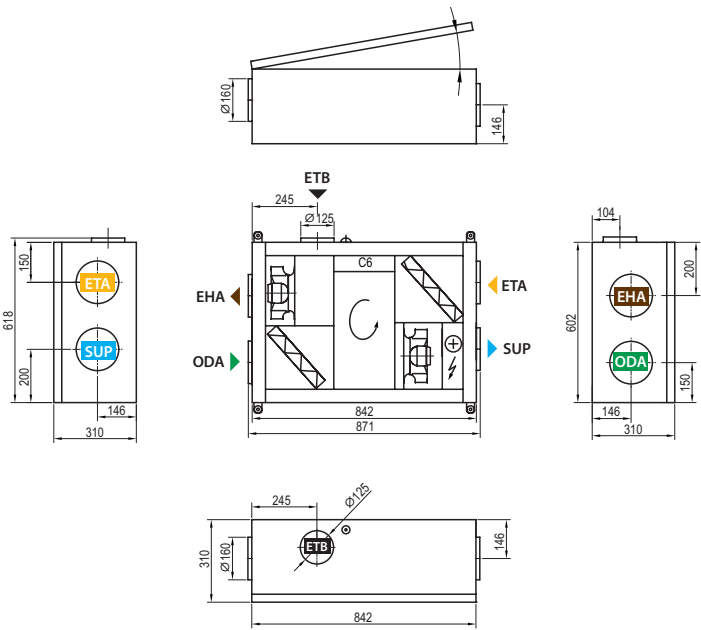


## Temperature efficiency

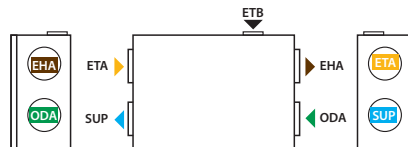
	Winter					Summer		
Outdoor temperature, °C	-23	-15	-10	-5	0	25	30	35
After heat exchanger, °C	13	14,6	15,6	16,6	17,6	22,6	23,6	24,6

indoor +22 °C, 20 % RH

Shown as right (R2)  
View from inspection side



Shown as left (L2)



- ▶ ODA – outdoor intake
- ▶ SUP – supply air
- ▶ ETA – extract indoor
- ▶ EHA – exhaust air
- ▶ ETB – additional extraction connection (by-pass – extraction without heat recovery)